

ROUND KNIFE CUTTER

裁剪机



WD-3

Manual

使用说明书

Direction

WD-3 Type electric scissors is suitable for clothes, shoes and hats ties, umbrella enterprise. It can cut off quickly and is portable and flexible. This machine has reasonable structure and all the necessary function.

Technical Specification:

Blade Size: ϕ 70 mm
 Blade speed: 2400 cycles
 Pruning height: 25 mm
 Voltage: single-phase 100V~120V; 220V~240V
 Power: 170 w

一、Common usage and assembling

1. Mill blade: start electric scissors, press abrasive stick (B3-1) the abrasive wheel (B7) will mill the blades automatically, to keep the blade sharp. If the abrasive wheel has more greasy dirt, should use it after cleaning or changing.

2. Blade load and unload: The blade is revolved to abrasive wheel hole, insert cylindrical pin to use flatt hand (appendix) to revolve out or compress blade hat (B22).

3. Change other parts according to the order of three - dimensional assembly drawing.

二、Maintenance point

1. The abrasive wheel (B7) has more greasy dirt, it should be cleaned and changed in time to make sure of milling blade effectively and keep the blade sharp, reduce the shoulder of the electric machine.

2. Clean fine dirt: should clean the fine dirt behind the blade and in the electric machine to avoid damage.

3. Worm wheel lubricate: Normally use electric scissors, the grease in the oil cup (B9) stakes abrasive wheel twice ~three times a month.

4. Blade lubricate: Before using, stakes 30 # oil to lubricative cotton (W28) to reduce the friction between the small blade and below blade.

5. Change the electric brush: After turning for a long time, has damaged a half, should change the electric brush with the power cut off (if the electric motor is operating unnormally, please stop the machine at once to check the electric brush is normal).

三、The reason of cancelling cloth, blocking cloth and cut down hard and remove

Reason	Remove
below blade (B24) or blade (B21) has breach or damage	change
The position, angle and elasticity Between Blade and below blade	1.adjust blade below 2.Below blade must be leaned against the blade as min angle, suitable elasticity
Over greasy dirt of the abrasive wheel	After getting rid of abrasive wheel greasy dirt, start mill blade.

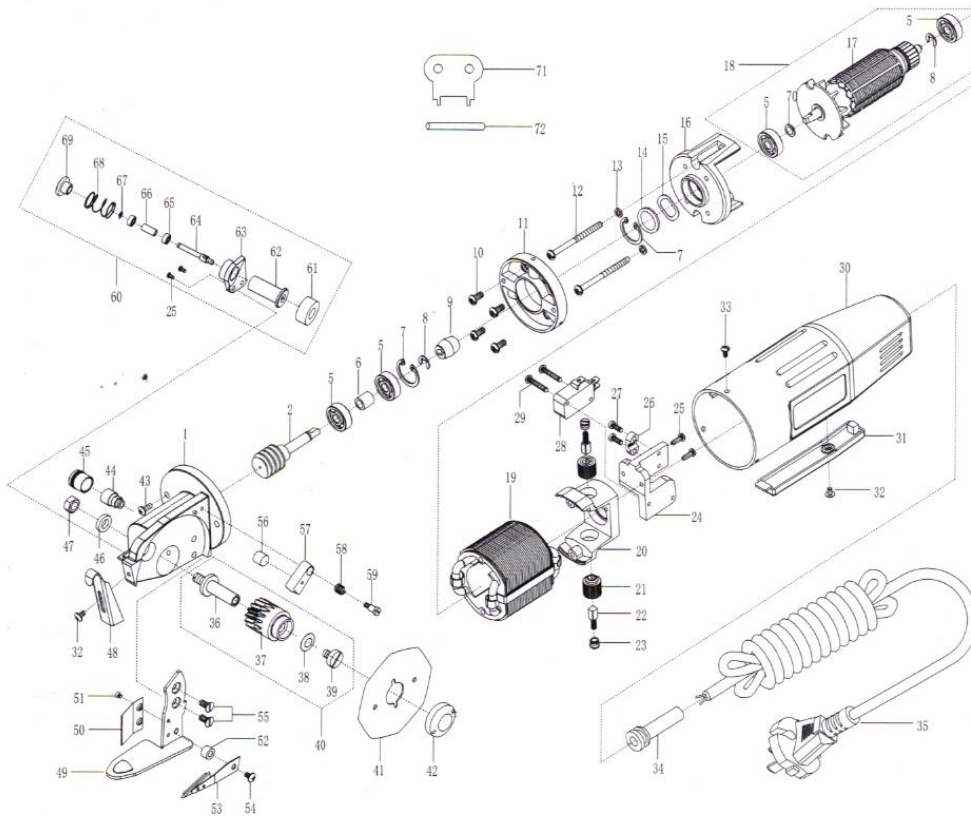
四、Make sure to:

1. Operating voltage must be normal and connect earth wire for safety, to avoid shock.
2. Do not touch the high speed moving blade with fingers or another body organ.
3. When to load and unload parts, the power plug must be pulled down.
4. Forbid to plug the fanlight.

五、Appendix list

blade	1 pc	cylindrical pin	1	connector	2	lubricative cotton	1
abrasive wheel	1 pc	flatt hand	1	electric brush	1	lubricative grease	1

Three Dimensional Assembly Picture



序号 零件编号及名称

Ref.no Part.no & Description

1	B30机头Gear Housing
2	B31连体蜗杆Drive Gear
5	W5 626轴承Bearing
6	B35轴承夹套Collar
7	W42 φ19孔用挡圈Collar
8	W38 φ6E形轴用挡圈Shaft Ring
9	B41十字接Coupling
10	W39 M4X8十一字半圆头螺丝Standard Screw
11	B40连接座Insulator
12	B45 M4X62十一字半圆头螺丝Standard Screw
13	W46 φ4弹垫Washer
14	W43垫片Washer
15	W44 φ19X0.3波形垫圈Wave Washer
16	B47风叶支架Holder For Motor Cooler
17	B50转子Rotor
18	B73转子成套Rotor Assembly
19	B48定子Stator
20	B54电刷支架Base For Carbon Brush
21	W53电刷套Socket For Carbon Brush
22	W54电刷Carbon Brush
23	W55电刷盖Cap For Carbon Brush
24	B64开关座Switch Cap
25	W19 M3X8十字半圆头螺丝Standard Screw
26	B68压线块Cord Press Block

序号 零件编号及名称

Ref.no Part.no & Description

27	G10 M3X10开口一字自攻螺丝Standard Screw
28	W57开关Switch
29	G57 M3X18十字盘头自攻螺丝Standard Screw
30	B58外壳Arm
31	B59开关跳Switch Cover
32	W67 M3X4十一字半圆头螺丝Standard Screw
33	W11 M3X6十一字半圆头螺丝Standard Screw
34	G65护线橡胶套Rubber Cover
35	G66电源线Cord
36	B18蜗轮轴Worm Wheel Shaft
37	B19蜗轮Worm Wheel
38	B74蜗轮螺丝紫铜垫Brass Washer
39	B20蜗轮轴螺丝Screw
40	B79蜗轮成套Worm Wheel Assembly
41	B21刀片Blade
42	B22刀片帽Blade Nut
43	G50 M4X10十字圆头螺丝Standard Screw
44	B10油杯底Oil Cup
45	B9油杯盖Oil Cup Cover
46	B17 φ6平垫Washer
47	B16M6X5.2螺帽Nut
48	B2附刀架Safe Guard
49	B25压脚Press Foot
50	B27分布片Guide Plate

序号 零件编号及名称

Ref.no Part.no & Description

51	B26 M2.5X3十字沉头螺丝Standard Screw
52	G40下刀隔套Collar
53	B24下刀Lower Knife
54	G42 M4X8十字圆头螺丝Standard Screw
55	G39 M4X8一字沉头螺丝Standard Screw
56	W28油毡Oil Felt
57	W27润滑器Knife Oiler
58	W29润滑器弹簧Spring For Oiler
59	W30润滑器螺钉Screw For Oiler
60	B77砂轮成套Grinder Assembly
61	B7砂轮Grinder Wheel
62	B8-1砂轮外轴Grinder Wheel Shaft
63	B6砂轮架Grinder Wheel Base
64	B80砂轮内轴Grinder Shaft
65	B75 618-3轴承Bearing
66	B76轴承隔套Collar
67	B78 φ2E形轴用挡圈Shaft Ring
68	B56砂轮外轴弹簧Spring
69	B3-1砂轮按钮Grinder Button
70	G30垫片Washer
71	B70刀片锁紧扳手Spanner
72	B71刀片锁紧销子Pin

2016年11月版本